

TT22 WP

2 WAY PASSIVE SPEAKER



DESCRIPTION

TT22 WP is a full range, extremely versatile two-way passive loudspeaker system offering substantial power and efficiency for a variety of professional applications: theatre and touring markets as well as fixed installations. TT22 WP is a 2-way passive system featuring 12" neo woofer, 86 mm voice coil in a bass reflex configuration; 1,5" exit, 75 mm voice coil neo compression driver; 90 x 40° aluminum, constant directivity horn, 90° rotatable. Each transducer has been specifically designed for the application. The woofer provides large excursion and very light weight. The voice coil is a new 4" design, best compromise between power handling and low mass. The compression driver features a new pure titanium dome.

Special ribs on the dome provides maximum flatness and extension in very high frequencies and venting on top plates guarantee distortion free midrange extension.

Thanks to the extensive use of neodymium and new basket designs, the total weight of the 2 transducers is less than 9 Kg!

TT22 WP includes the LICC-Low Impedance Compensated Crossover that features markedly lower inductance values in series with the woofer. The benefit is delay reduction, reduced phase shift and superior transient response. For a superior power handling high power, aluminium case, resistors are used in the crossover network. Dynamic high-frequency driver protection is accomplished with the RCF exclusive – Active Mosfet Compression Driver Protection System, chosen to complement the power curve of the driver.

Connections to the amplifier are made through a watertight multi-pole connector.

The cabinet is constructed of multi-ply baltic birch plywood and finished in a very resistant, textured, polyurea black paint. The grille is in custom perforated aluminum with open-cell fibers and water repellent woven fabric backing.

Six high quality detachable fly tracks fittings on both sides of the cabinet offer horizontal, vertical and coupled suspended orientations. The cabinets features 2 aluminum side handles and a steel pole mount cap.

MAIN APPLICATIONS

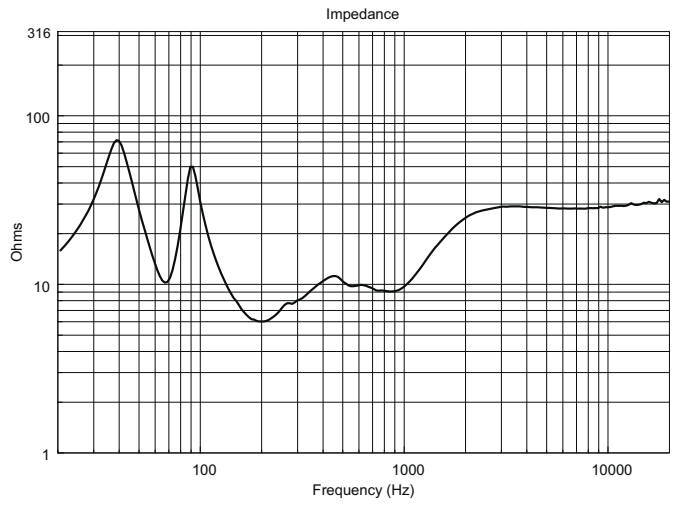
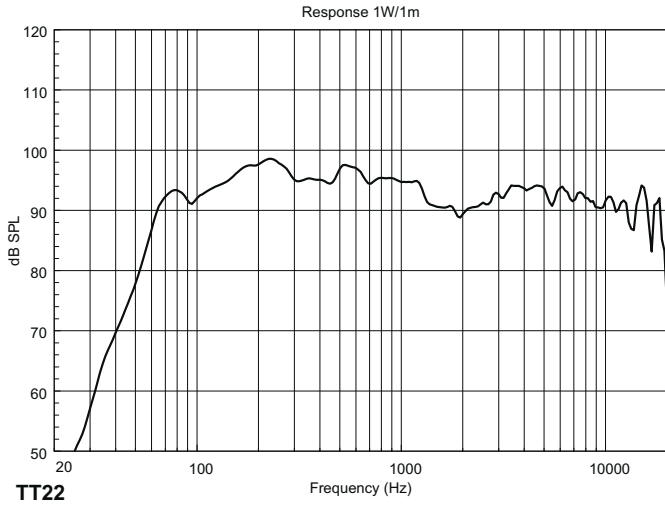
- Outdoor sound reinforcement
- Portable and installed audio-visual systems
- Concert halls, night clubs and houses of worship
- Stage monitoring side fill
- Front and balcony fill

MAIN FEATURES

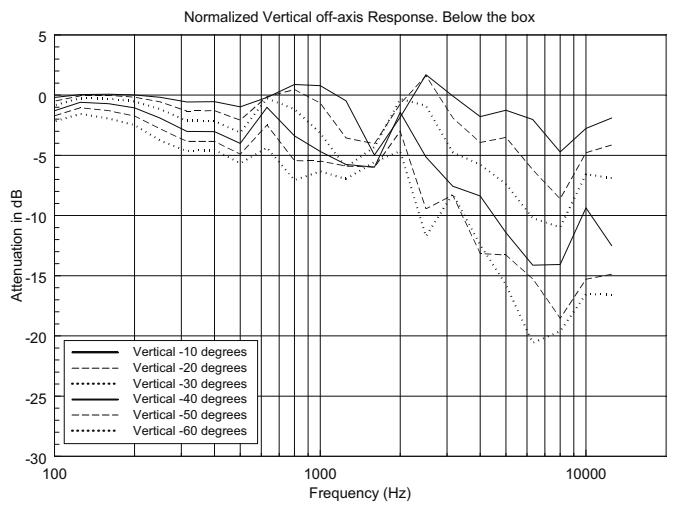
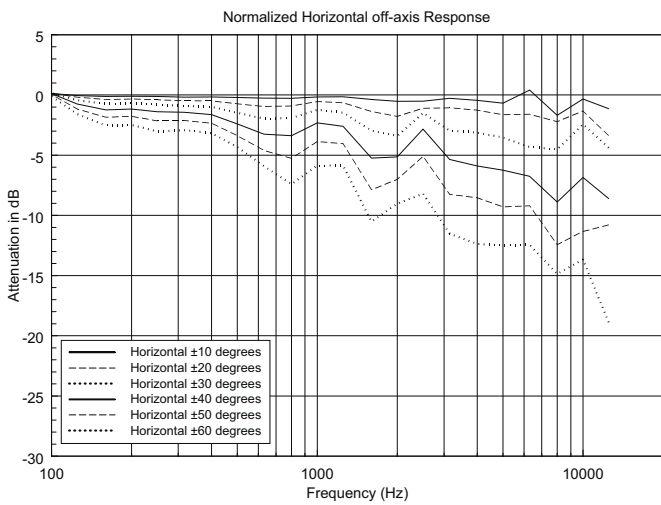
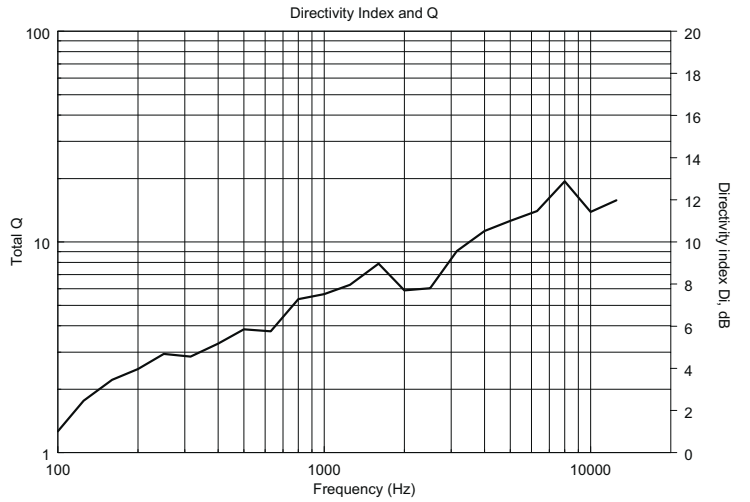
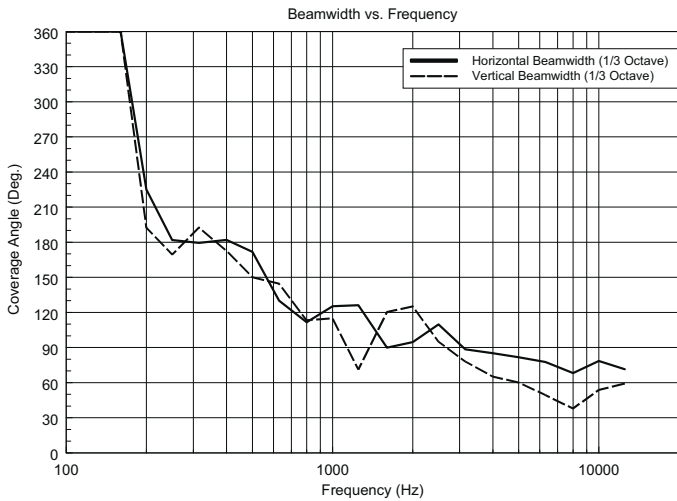
- Very compact size (600 x 400 x 400 mm / 23.62" x 15.74" x 15.74")
- Maximum output per size available on market
- Minimum weight
- Wide, constant directivity, horizontal coverage angle
- High power neodymium transducers
- Watertight multi-pole connector IP67
- LICC (Low Impedance Compensated Crossover Network)



TT22 WP

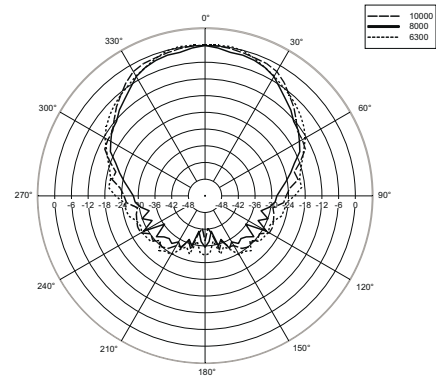
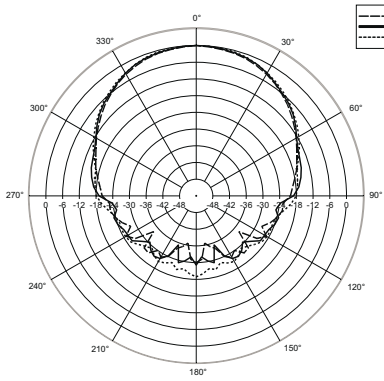
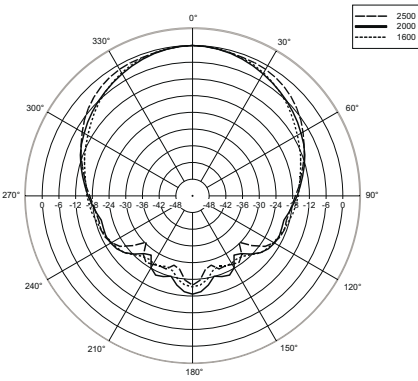
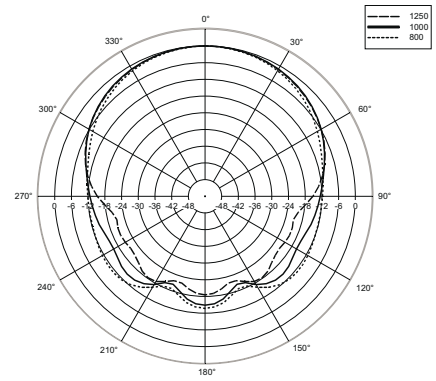
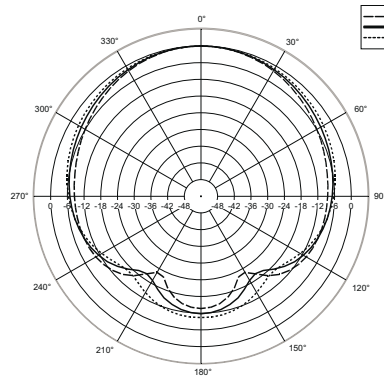
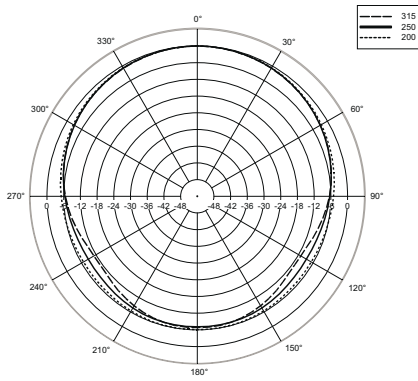


TT22

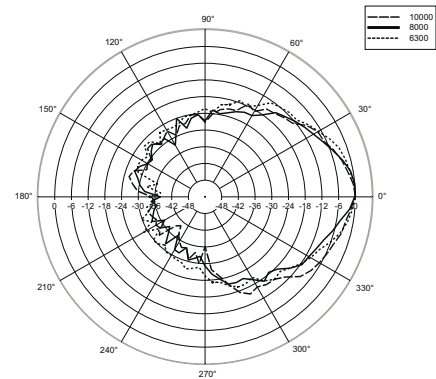
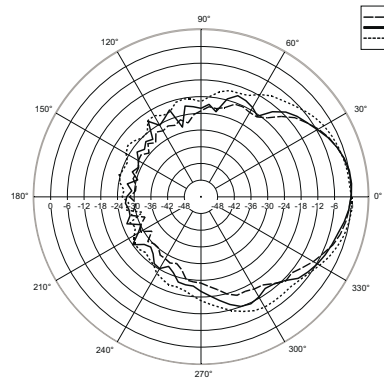
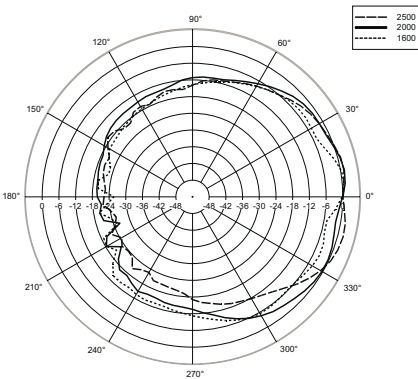
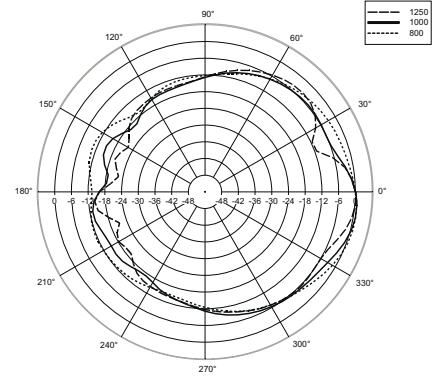
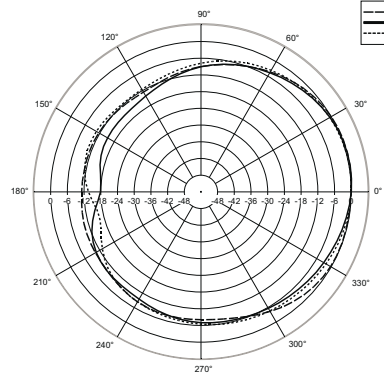
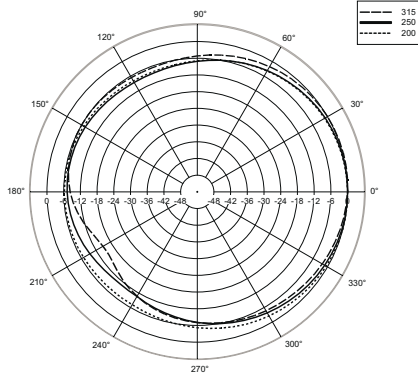


TT22 WP

HORIZONTAL 1/3 POLAR PLOT



VERTICAL 1/3 POLAR PLOT

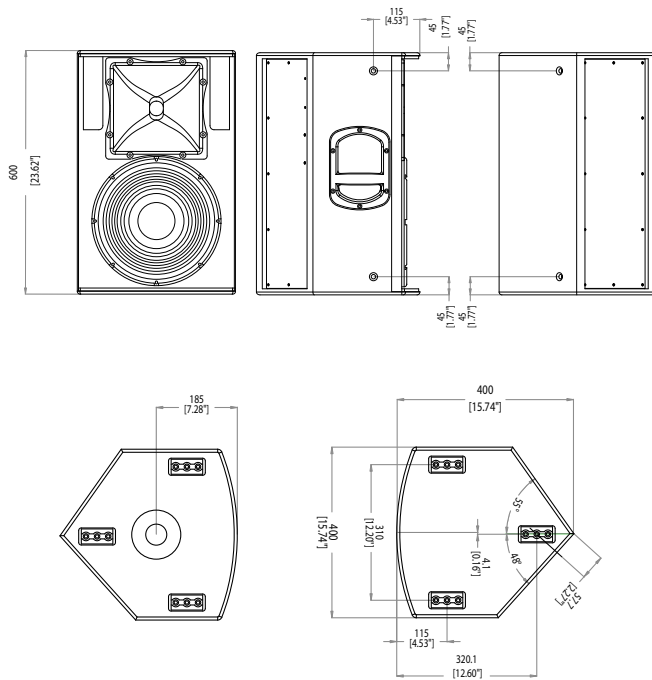


TT22 WP

PART NUMBERS

13000252

DIMENSIONS (All data are in mm)



ACOUSTICAL SPECIFICATIONS

Frequency response:	50Hz-20kHz
Max SPL:	131dB. @ 1m
Sensitivity 1W/1m:	98db. 1W @ 1m
Coverage angle:	H 90° x V 40°
Compression driver:	1.5" (38mm) throat. 3" (76mm) coil diaphragm assembly
Midrange:	-
Woofers:	12" (304 mm) woofet with 4" (100 mm) coil
Power handling:	800W

INPUT SECTION

Input signal (Impedance):	8 Ω
Input connector:	Amphenol eco/mat IP67
Output signal connector:	Amphenol eco/mat IP67

PROCESSOR SECTION

Crossover frequencies:	1300 Hz
Protections:	Active Mosfet

ACCESSORIES

COVER TT22	Protection cover bag for TT22 and TT22-A.
AC PRO12 V-BR	Bracket for flying and wall mounting NXM12-A and TT22-A with pole and adjustable inclination.
AC TT22 V-BR	TT22 and TT22-A wall mount brackets with adjustable inclination.
AC PMA	Speaker pole mount.
AC PRO-FS	Steel speaker floor stand with folding base and telescopic rod. Tube diameter 35mm. Load capacity up to 50kg.
AC PRO-LF	Steel professional adapter sleeve for loudspeaker stands. Integrated expanding mandrel system which provides a tight and firm fit for the speaker. The moveable plastic splints separate the speaker from the stand creating a vibration-free connection.
AC PRO-PM	Steel pole mount accessory for a satellite loudspeaker on a subwoofer. Both ends of the pole mount are fitted with an expanding mandrel system for a tight and vibration-free fit for the base and satellite speakers.
AC DS4X	Kit of 4 hooks for suspending fly track bar.
AC S140	Aluminum speaker floor stand with folding base and telescopic rod, Tube diameter 35mm.
AC S260	Steel speaker floor stand with folding base and telescopic rod, tube diameter 35mm. Equipped with damping system and safety plug; central die-cast joint.
AC PM M20	M20 pole mount for TT22, TT22-A, TT25 and TT25-A speakers.

PHYSICAL

Cabinet:	Baltic birch
Dimensions (HxWxD):	600x400x400 mm 23.62"x15.74"x15.74"
Weight:	63.49 lb - 28.8Kg
Hardware:	6 x fly tracks, + pole mount, aluminum side handles
Handles:	2 on side
Pole Mount / Cap:	yes
Colour:	Black