

QTS T600B Pendant Loud speaker (360 Degree Dispersion)

Features

- Built-in 100v/70v transformer
- Pendant type loudspeaker
- 360 degree sound wide dispersion
- 6" full range speaker driver
- Power taps at 7.5w-10w-15w-20w-30w-60w
- ABS enclosure of white color
- Steel mounting security ring kit is supplied

Description

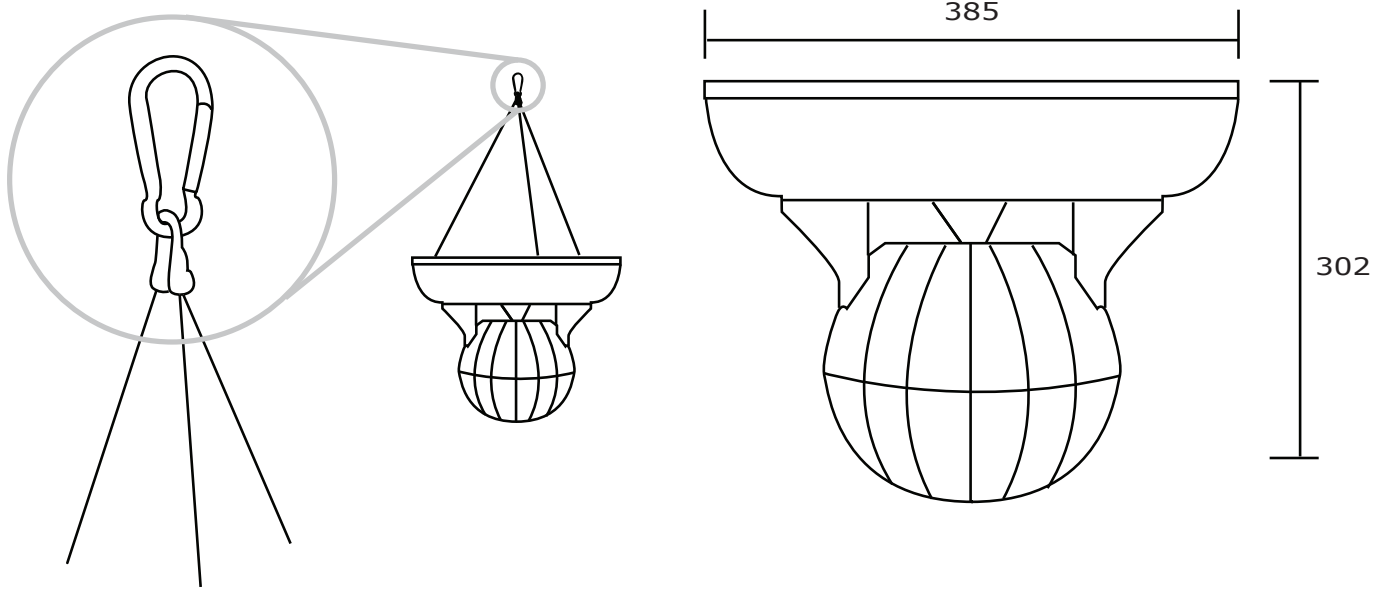
The QTS T600B is a pendant speaker built-in 70v/100v transformer. The built-in 6" full range speaker driver is designed for a wide frequency response 100-10kHz. The ABS enclosure is of white colour. Easy to secure through the supplied secured steel mounting ring kit. It is an ideal choice for industrial and commercial applications in train stations, shopping malls, parking and factories where background music and paging is required.



QTS T600B Pendant Speaker Specifications

Power Taps @ 100V:	7.5W, 10W, 15W, 20W, 30W, 60W
Power Taps @ 70V:	3.7W, 5W, 7.5W, 10W, 15W, 30W
Impedance:	White: 1.3k Ohm, Orange: 1K Ohm, Yellow: 670 Ohm, Brown: 500 Ohm, Blue: 330 Ohm, Green: 165 Ohm, Black: Com
SPL (1W\1M):	102dB
Max SPL (Rated W\1M):	120dB
Frequency Response (-10dB):	100Hz – 10KHz
Finish:	ABS Synthetic
Speaker:	1 x 6" Driver
Dimensions:	385 x 385 x 302mm
Mounting:	Hock

Appearance



Frequency Response

