

Monitor

series

MONITOR SPEAKER

MQ 50



Monitor speaker for installation at constant directivity

The MQ50 is a monitor speaker for constant directivity installation. It is a two-way speaker with 5" woofer and waveguide-loaded dome tweeter to ensure intelligibility and correct dispersion of the sound over a wide angle of coverage.

The built-in support makes the MQ50 easy to install and enables close fitting to the wall, limiting its protrusion.

The exclusive fixing system designed for the MQ50 model allows the installer to fit the fixing bracket to the wall and make the electrical connections during the pre-installation phase; subsequently, when all the works are completed, the MQ50 is positioned, oriented, and connected with a simple "click", without the need for tools. The speaker can be connected to constant voltage audio lines at 70 V or 100 V or to constant impedance lines (rotary switch positioned to 16 Ohm).

Applications

- Foreground/Background Music
- Distributed Speech Reinforcement
- AV Production/Playback
- Near-field Monitoring

Features

- 5" PP cone woofer
- 0.75" dome tweeter
- Constant voltage audio lines at 70 V or 100 V
- Built-in, multi-tap transformer
- 16Ω low impedance connection facility
- Built-in, LICC crossover with dynamic protection
- High density polystyrene HB grade UV stabilized
- Unobtrusive slide-in wall mounting accessory
- Fast plug-in electrical connector

SYSTEM

Freq. Range (-10 dB):	100 – 20.000 Hz
Freq. Response (-3 dB):	140 ÷ 20.000 Hz
Horz. Coverage Angle (-6 dB):	120°
Vert. Coverage Angle (-6 dB):	90°
Directivity Factor: Q (DI):	7.3 (8.6)
System Sensitivity ¹ :	89 dB, 1W @ 1m
Rated Maximum SPL:	110 dB
System Nominal Impedance:	16 Ω (bypassed)
System Input Power Rating ² :	60 W IEC, 120 W PEAK
Recommended Amplifier ³ :	60 W
Constant Voltage:	70, 7V, 100V and Bypass
Power Taps:	5W, 10W, 20W, 30W [100V] 2,5W, 5W, 10W, 15W [70, 7V]

TRANSDUCERS

Low-Frequency:	5" (127mm)
High-Frequency:	0.75" (19 mm)

PHYSICAL

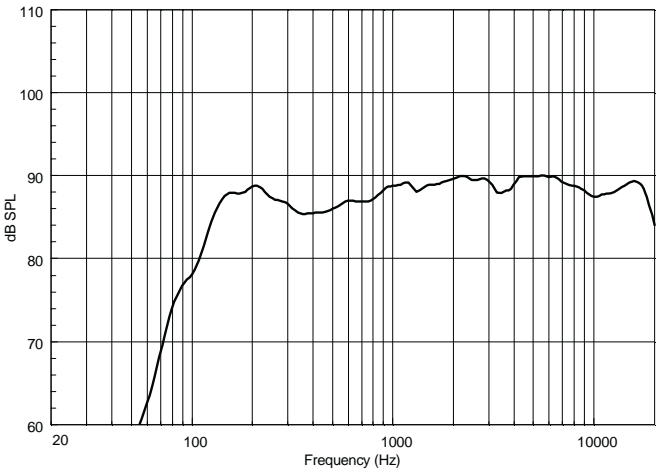
Enclosure:	high density polystyrene
Grille:	Matching perforated steel grille
Input Connectors:	Bipolar Euroblock
Dimensions (HxWxD):	9.64"x6.5"x6.9" (245x165x175 mm)
Net Weight:	5.7 lb. (2.6 kg)

¹ Measured on axis in the far field with 1 watt (2.00 V RMS, 4) input and referenced to 1 meter distance using the inverse square law. Listed sound pressure represents an average from 300Hz to 3kHz.

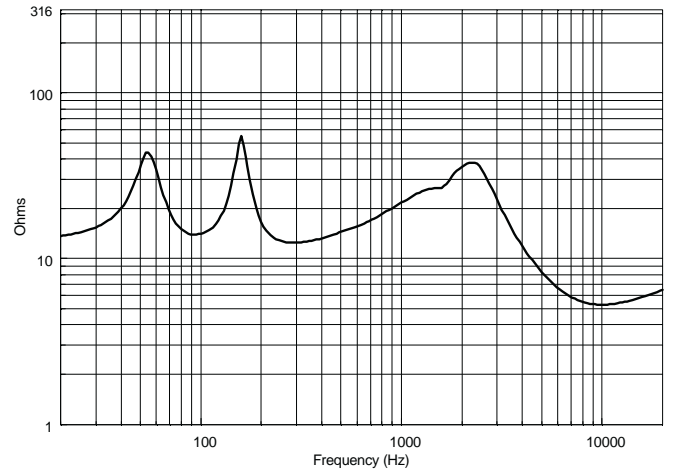
² IEC Spectrum, Peak for 2 hours with +4.5 dB crest factor.

³ Recommended Amplifier is a power capability value that should be taken as a guide.

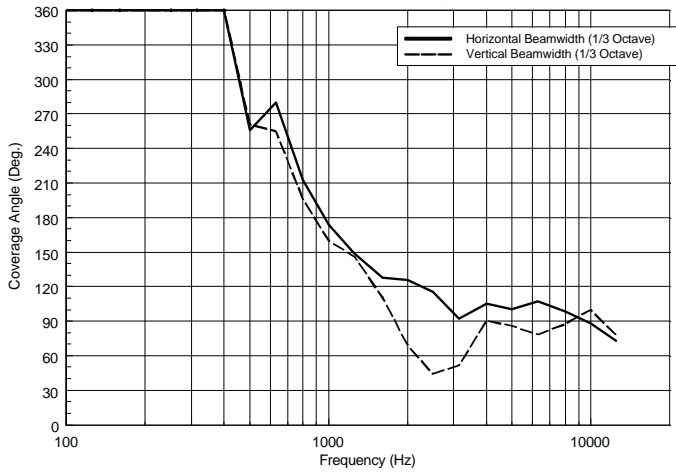
Response 1W/1m



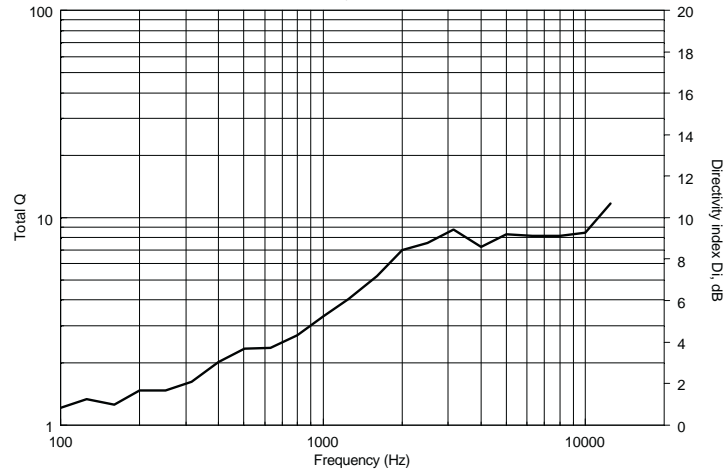
Impedance



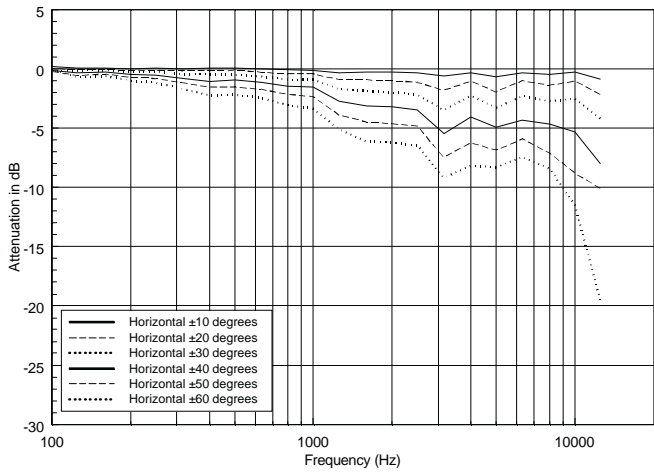
Beamwidth vs. Frequency



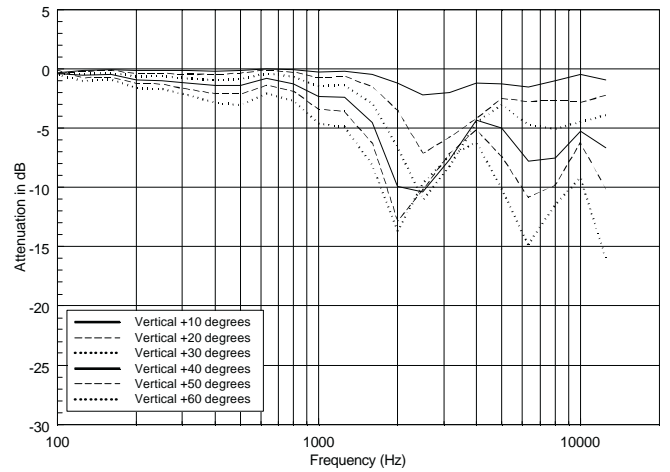
Directivity Index and Q



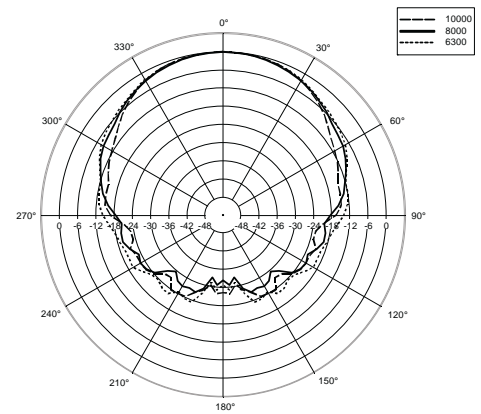
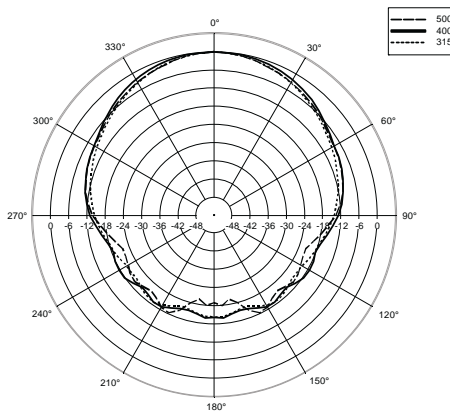
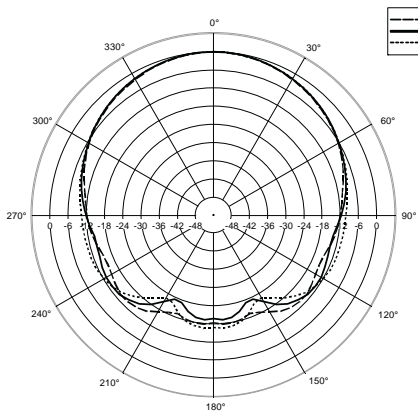
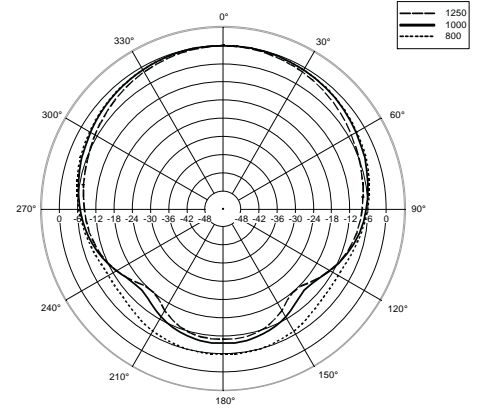
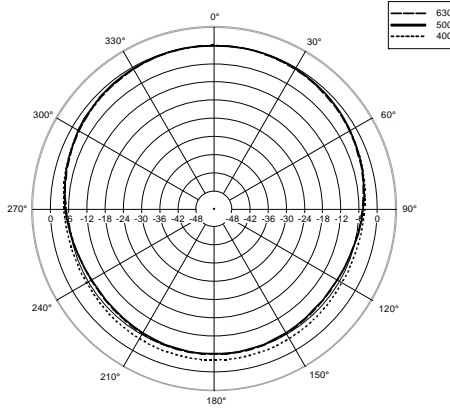
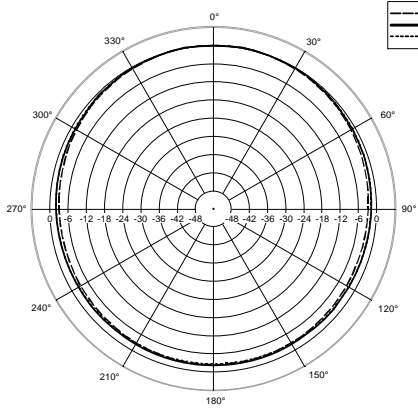
Normalized Horizontal off-axis Response



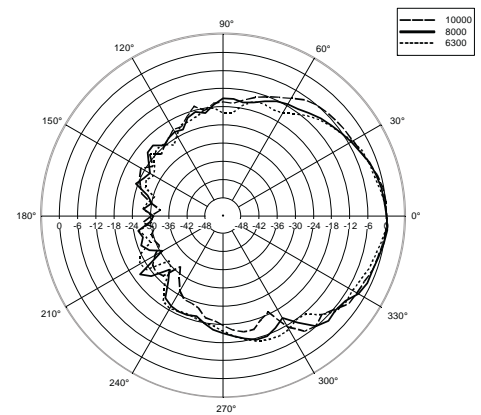
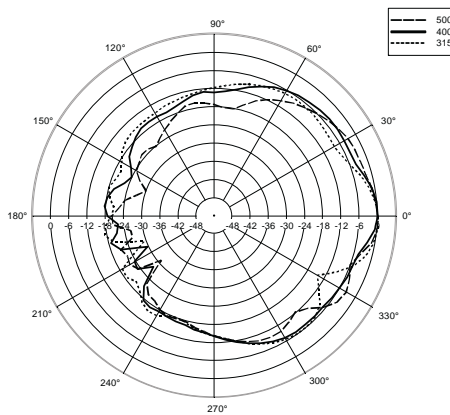
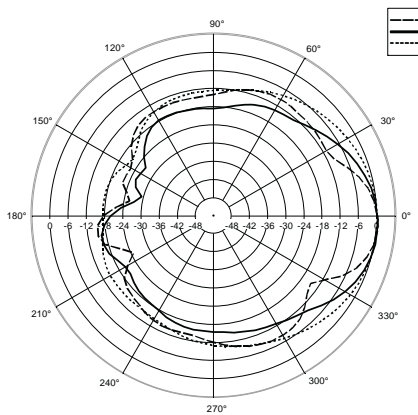
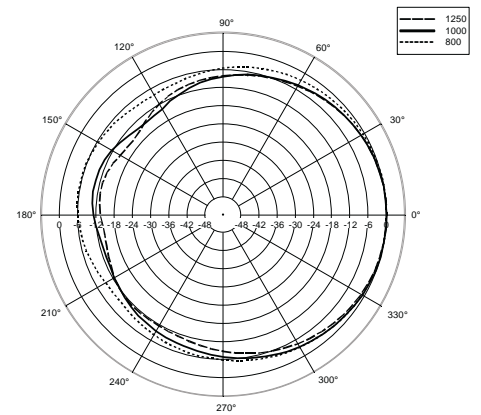
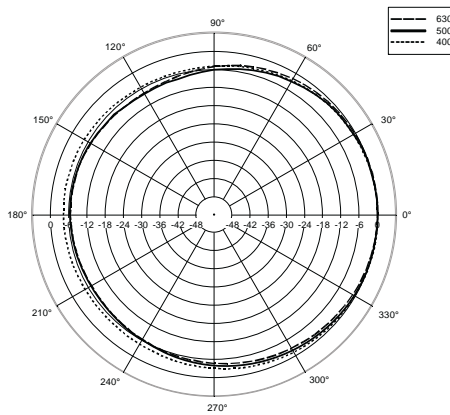
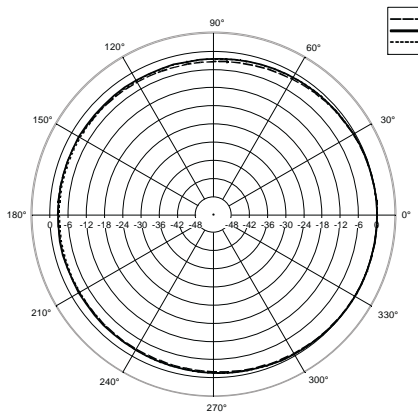
Normalized Vertical off-axis Response. Above the box



Horizontal 1/3 Polar Plot



Vertical 1/3 Polar Plot



CSI PRODUCT SPECIFICATIONS FOR DESIGNERS, SPECIFIERS, AND CONSULTANTS (ALSO KNOWN AS "A&E SPECIFICATIONS")
 The following are "Part 2 Products" CSI-type specifications. It is assumed that "Part 1 General – Administrative and Procedures" and "Part 3 Execution – Installation and Maintenance" are part of an overall audio system or project specification.
 PART 2 PRODUCTS

2.01 Approved Manufacturer/Product

- A. RCF, Via Raffaello 13, 42010 Mancasale, Reggio Emilia, Italy.
- B. Model number: MQ 50

2.02 Design

Configuration	2 way speaker
LF Sub-section/HF Sub-section	LF 5 - HF 0.75"

2.03 Acoustical Proprieties

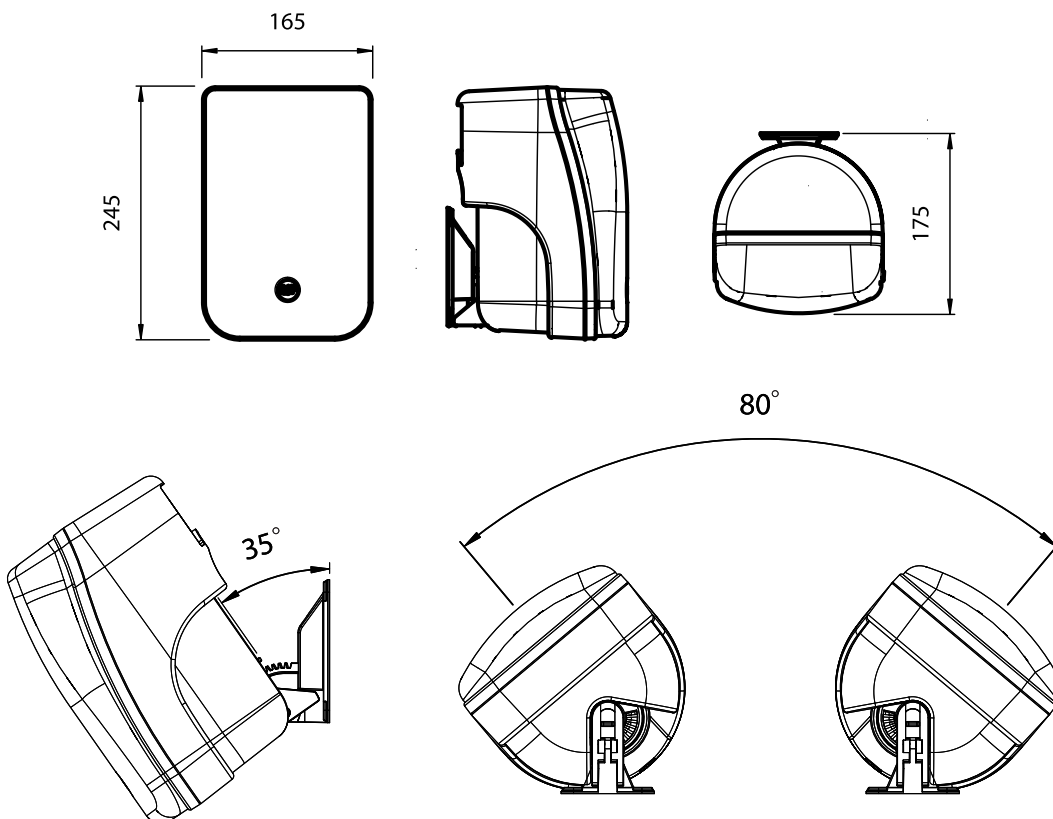
Nominal dispersion angle:	Horizontal: 120° - Vertical: 90°
Axial frequency range:	70 – 20.000 Hz

2.04 Physical Properties

Cabinet:	Composite PP
Color:	white / anthracite grey / silver
Grille:	Custom perforated steel grille with open-cell poly fiber backing
Input Connectors:	Bipolar Euroblock
Dimensions (H x W x D):	9.64"x6.5"x6.9" (245x165x175 mm)
Weight:	5.7 lb. (2.6 kg)

2.05 Accessories

Wall Mount (Included)
Safety Lace (Included)



RCF SpA Italy:
 tel. +39 0522 274 411
 fax +39 0522 232 428
 www.rcfaudio.com
 e-mail: info@rcf.it

RCF UK Sales Office:
 tel. +44 870 626 3142
 e-mail: info@rcfaudio.co.uk

RCF France Sales Office:
 tel. +33 6 07501800
 e-mail: rcfrance@aol.com

RCF Germany Sales Office:
 tel. +49 2203 925370
 e-mail: germany@rcf.it

RCF USA Inc.:
 tel. +1 (603) 926 4604
 e-mail: info@rcf-usa.com